

CHERRYLAND AMATEUR RADIO CLUB

VOL. I, No. 3

NEWSLETTER

APRIL, 1974

President: Terence H. Wolfley WB8PLQ
 Vice President: William F. Martinek W8JUY/WA8WVO
 Recording Secty: Edna P. Widman WB8EYL
 Corresponding Secty: John T. Binsfeld K8DVV
 Treasurer: Joseph W. Novak W8TVT
 Newsletter Editor: Wells R. Chapin W8GI
 Newsletter Publisher: Terence H. Wolfley WB8PLQ
 Activities Manager: Jack R. Leishman K8YZW
 Publicity Manager: Edna P. Widman WB8EYL

CLUB BOARD OF DIRECTORS

2 yr Term: Frank X. Shumsky
 W8TVQ
 1 yr Term: Dr. Kenneth H.
 Musson W8QKP
 1 yr Term: David L. Warner
 WB8EYB

SUNDAY MORNING AMATEUR SOCIAL HOUR (SMASH) SUNDAY 0930 AM EDST - 3935 KHz

Six Meters - 52.525 - 2M FM 146.94 Simplex - Repeater in Planning Stage 146.25-85

Those of you that missed the last meeting missed a wonderful, educational experience Dr. Ken, W8QKP provided us with a tour of the Traverse City Light and Power Generating Facilities. All of us looked on in amazement. Large boilers, and pipes were all over the place! Signs reading "DANGER * HIGH VOLTAGE", Generators with labels reading "13,800 VOLTS" and Exciters with 125 Volts at 350 Amps were there. There were seemingly hundreds of meters and control switches at every turn. We had a guided tour, which ended in the Control Room, where we were allowed to ask and receive answers to our questions. We wish to extend a sincere "THANKS" to the fine fellows at the T.C. Power and Light Plant! We retired to the Elks Club where we had a nice, short meeting, and Bill, W8JUY was installed as HAM OF THE MONTH. Bill was presented a very useful and interesting trophy built by Ed Chapman, K8CWR. Ed manufactured a very unique, patented Distilling Device, and presented the proto-type to Bill as a trophy! He knew Bill would give it a proper, consumer's level wring-out! The presentation included a speech that should qualify Ed as a Charter Member of the Liar's Club. It was a fun evening, and we all enjoyed it. We left after enjoying some excellent cookies baked by Julia, XYL of WB8PLQ.

APRIL, 1974 MEETING ANNOUNCEMENT: The meeting will take place on Wednesday, 17 April at 730 PM in the Elks Club. Jack Leishman will present a program on laying out and making Printed Circuits. This promises to be another in a series of very fine programs. Future meetings and their Program Chairmen are: May 15 - Frank Shumsky W8TVQ and June 19 - Ed Chapman K8CWR. The past programs have been outstanding, so don't miss this one! Also come to see who is our April HAM OF THE MONTH. Starting this month, the H.O.T.M. will not know until he receives his Newsletter, that he or she is HAM OF THE MONTH! Our April H.O.T.M. is a real character!

QSL CONTEST - Don't forget! Several members are avidly working on designs. You must submit your samples at the April meeting on the 17th. Our Judging Committee will judge the entries, and the winner will be announced at the meeting before it is closed. The winner will receive an All-Expense-Paid-Trip to Empire, Kingsley, or some other neat place! Inflation has ruined the previously announced prize to Paris. However, FAME still awaits the lucky winner, so lets see what you can come up with!

2-Meter Repeater Report: After several meetings, things are definitely moving. We have permission to use the 300' level of the antenna tower at WIJA in Interlochen. Our Repeater will be housed in a doghouse, that we must yet construct, and will be in the locked enclosure surrounding the base of the antenna tower. We are still awaiting crystals for 146.25 and 146.85 MHz. We also talked about future remote receivers in other areas of the Grand Traverse Region.

We have received the Incorporation Papers from Lansing, and the Club is now duly and legally incorporated once again. We also have our ARRL Affiliation Paperwork, and soon we will again be affiliated with the ARRL.

The Activities Committee is planning a 2 or 6-Meter Hidden Transmitter Hunt for early this Spring. There should be more details for the May Newsletter.

Congrats to Grant Richardson, who is the proud possessor of the call WN8RLR. Now Grant, get your General Ticket so that you can chat with us on the SMASH NET!

We want to extend a hearty welcome and thanks to our two newest club members. They compose a husband and wife team, and hail from the town of Empire (Traverse City is on the east side of Empire, and is its largest suburb!) George W8HZM, and Nola W8HZO Schrock bring some unique talent to our club, and we do welcome them.

EDITOR'S FUNNY - A couple was touring Washington, D.C. and the guide pointed to a tall, benevolent gentleman, and said "That man is the Congressional Chaplain". The woman asked, "Does he pray for the Senate, or the House?" The guide replied, "No, lady. He looks at the Senate and House, and he prays for the people!"

Did you know that we now have 48 paid-up members? Great isn't it? Bring a friend to the next meeting, and do yourself, him, and the club a favor. You may even help a CB friend change his frequency if a little shove in the right direction is given! Maybe we all need to do a little bit of missionary work.

There were at least ten Cherrylanders at the Muskegon ARRL Convention in March. Several of us won prizes, and we all had fun. Jack and Sue Leishman had their whole family along for the whole weekend, and the Widmans seemed to be having a ball. Edna said she got "Woufhonged", what ever that is! We saw everyone buying up a storm, and it appears that Jack Leishman is going into competition with John T. Binsfield for the loudest signal from Cherryland! Someone said he horsetraded for a 2.5 KW Ceramic Transmitting tube. You know how Hams tell lies, so we are only classifying this as a bit from the rumor mill! Terry W8PLQ, Verrol Conklin W8JXE, Bud Crossman (A CBER, no less!), and myself stayed at the Vista Motel in Muskegon over Friday evening. We were entertained all night by a contingent of Women's Bowling Conference Delegates. "Dr." Bud Crossman offered to give the ringleader of the women bowlers a brain operation, and do it on TV before a live audience. As an encore, he said he would throw in a facelift. Luckily, no one took him up on his kind (?) offer!

Your Editor is in the process of compiling a history of Traverse City Ham Radio. While researching it, I have come across the following information: One of our recent new members, Ducky W8CJT, was W8AHE in 1927. Our V. President, Bill W8JUY, grew up next door to the spark station of Tracy Brown W8AYI, who lived at 428 State Street. Those were the days when Hams had hair on their chests (Women excluded)! Those spark rigs were CW only, and phone sissies didn't make the scene until around the 1924 era. As you browse through old Callbooks, you find the names of Willard Happy - 849 State street, who was W8AAH. Willard still is a ham, and lives at 3111 Begole Street in Flint, Michigan. Still other names appear: W8AEQ Jack Webb - 924 Main, W8AZQ Theron Darrow - 821 N. Spruce St., W8CGM Gary Morgan - 521 Sixth St., W8CH Harold Ginsberg 1050 E. Front St., and W8BFT in Kalkaska. Please, if any of you have information on the Ham History of Cherryland, please jot it down and get it to me so I can finish this project!

HAM OF THE MONTH

This month we have a classic case, as our ham is going on 79 years of age, and he looks and acts considerably younger! In case you haven't guessed it, it's good ole Clyde Kirkby W8STH. Our story starts just outside of Bates near Williamsburg, Mich. where Clyde was born on May 22, 1896. He lived and worked on the farm until he was ten years old. He moved to Whiting, Indiana, where he graduated from Grade School. His first job was in a cement plant at Buckingham, Indiana. During WWI he served in the Armed Forces in France, and that is where his life changed. He met his very wonderful wife, and married her on March 12, 1919 in Langre Marne, France. Louise was carrying a pail of milk and Clyde offered to help - They have been helping each other ever since. After WWII, they moved to Chicago where he worked as a millwright

in a cement plant, at Ford Motor Company, and at International Harvester. He moved to Oklahoma from Chicago, Thence back to Chicago, then back again to Oklahoma. In Oklahoma he operated a Garage and Radio Repair Service Shop. Clyde got into Ham Radio in 1935 with the call W5FES. They moved back to Traverse City in 1938, when he received his present W8STH call.

Clyde and Louise have two children, a son Aneal, who lives in Traverse City and works as an engineer at WPBN-TV; and a daughter Claudette, who lives in Ottawa, Canada.

Clyde started a moving business by brokering for Wolverine Express. He was eventually handling freight from two offices, one in Manistee and the other in Traverse City. Business prospered and he finally bought the Company Charter, and thence also bought out Sig Ryan's and Bill Ianlone's businesses. These new purchases enabled him to expand his own territory and business by utilizing their permits and charters. Clyde's business acumen enabled him to form this group of companies into a very fine and profitable business. Clyde had had enough of working, so he sold out in 1955 and retired.

If you want a real experience, get acquainted with Clyde, like I did! You quickly learn to respect his mechanical, electrical, and electronic knowledge. Visit him, and see his Super Gadget that lets him raise and lower one of his antenna towers with a simple ratchet device. Take a look at his crank-up tower with the 10-15-20 Meter beam. Get him to show you his two HyGain Hi Tower phased vertical antennas for 40 Meters. take a squint at his two HiGain 80 Meter horizontals - one a trap doublet, and the other an inverted Vee. You can't fail to see his TV tower also. When you look around, you would think you are at the Rocky Point, N.J. Communications Center of RCA, HI!

Now, let's look at another facet of the Kirkby maze of electronics. He has a Heathkit Garage Door Opener, and a 5000 Watt automatic 110VAC emergency power system. He is presently converting the power plant engine to natural gas. I saved the best for last! Clyde is the acme of laziness - He doesn't even have to turn the water on for his lawn! It is watered fully automatically - yep, right down to a sensor that senses the water content and simply turns the water on when the lawn needs it! If this system ever fails while Clyde is away, he might have a new lake for the ducks in the area to use. They may even have to move the "Duck Crossing" sign from Grandview Parkway to the front of Clyde's house!

Clyde is a wonderful example of what a young man can do if he has the will to do it. With only a Grammar School education, he has progressed to become a very successful businessman - Learned electronics, and become very proficient at it! He also learned the Mechanical trade, and has learned the secret to living a long and useful life! Our hats are of to you, Clyde!

Louise takes very good care of Clyde. She even helps him select his clothes, so that he is always sartorial correct. She also knows to keep her eye on him at SWAP and SHOP FESTS! I guess that long experience has made this necessary, huh Clyde? She even gets him to comb his hair, Hi. That's more than my wife can get me to do as I have only one hair to comb, Hi!

We hope that Clyde and Louise will be here on this Earth withus for many more years to come. Yes Clyde, we appreciate your interest and contributions to our Ham Club, and to Amateur Radio in General!

The following page is a very fine Technical-Type article by Jean Charavay W8IHJ. This is our first attempt at an article of this sort, so please bear with us! Our next Tech article will be by Ed Chapman K8CWR, and will appear in the May issue.

"2-METER PLAGERISM"- A 2-Meter Base Antenna

By Jean Charavay W8IHJ

or

MOBILE ANTENNA

FEATURES:

1. J-Type Design
2. Gamma Match
3. Uses Type-M $\frac{1}{2}$ -inch Copper Tube and Sweat Soldered Fittings

NEW TWIST TO OLD TYPE DESIGN:

Consolidation of points 1, 2, and 3 above to attain:

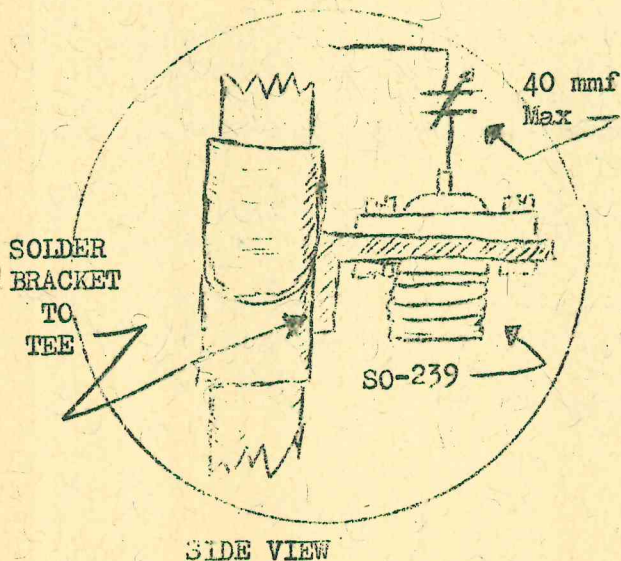
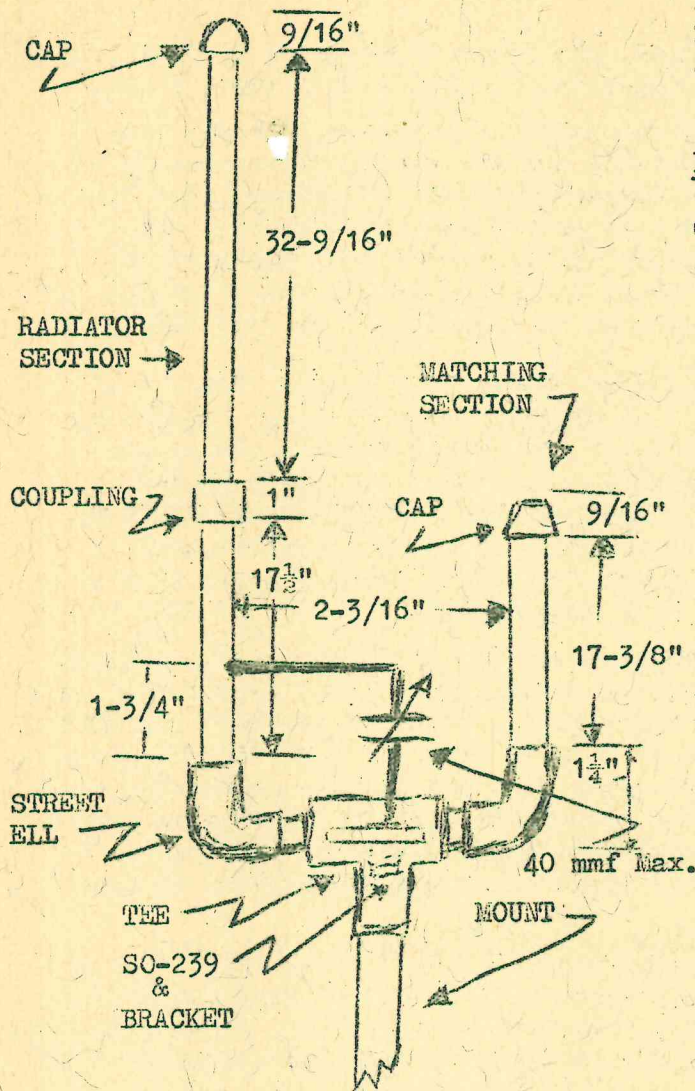
- A. A very rigid mechanical construction.
- B. An easily built and matched Antenna.
- C. Allows mounting at ground potential, as the SO-239 provides ALL insulation that is required.
- D. Last, but not least, it is a rather attractive antenna. It provokes conversation in Shopping Center Parking Lots!

CONSTRUCTION AND TUNING STEPS:

1. Fabricate MATCHING SECTION first and resonate it by trimming minute amounts off the end. Use a G.D.O., and tune the section to Operating Frequency.
2. Add RADIATOR SECTION and trim this section, if required, to resonate at Operating Frequency. Here again, use a G.D.O.
3. Adjust GAMMA MATCH CAPACITOR and tune for Minimum SWR. The point where the GAMMA MATCH attaches to the RADIATOR SECTION may have to be found by cut and try for proper match.

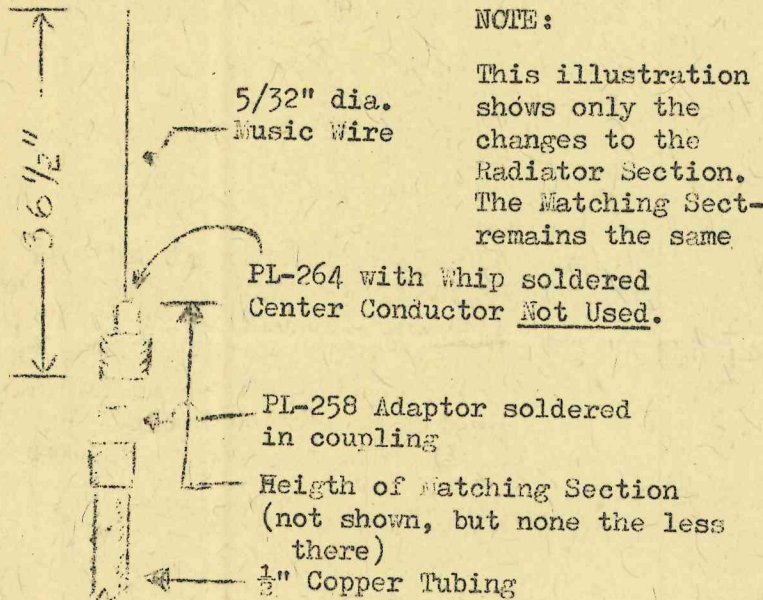
PUBLISHER'S NOTE:

Jean's article was submitted to me in a much neater form. I have a very dumb pen, as well as a dumb typewriter! Hopefully this typewriter will learn how to spell words like rigid properly, and not leave Edna off the list of Club Officers! It will be a little more difficult to educate this pen, however! Please bear with me.



A 2M J-TYPE ANTENNA ESPECIALLY DESIGNED FOR MOBILE OPERATION BY JEAN CHARAVAY W8IRJ

This antenna is very similar to the one already described on page 4. Please note that the whip section of the radiator section is 3-15/16" longer than the tubing version. The larger diameter of the tubing requires a shorter length to resonate at the same frequency, than does the much thinner music wire whip.



NOTE:

This illustration shows only the changes to the Radiator Section. The Matching Section remains the same.

- 1- The mount that I used is a piece of 1" Galvanized water pipe. I bolted this to a trailer hitch and mounted a mobile whip spring at the top of the 1" pipe to attach the PL-264 and SO-236 Connector Bracket.
- 2- Music wire is available in 36" lengths (straight type) in model airplane hobby shops.
- 3- This antenna does not require a ground plane and its performance has exceeded a 5/8 wave length whip. I repeat - the dimensions are critical for maximum performance and should be checked by coupling a GDO in the curve of either street all.

..... W8IRJ

WANT ADS

Wanted to buy: Galaxy V or similar transceiver and Trip Vertical Antenna. Call: Jack Jackson W8RIM - Phone: 947-7419.

Wanted to buy: Hammarlund HQ-128A, Pallicrafters A-42, SA-43, A-62, or a National receiver of this vintage. Call: W8KGA Phone: 947-4573.

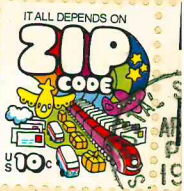
For Sale: IO103 Triggered Sweep O-Scope - Call: W8HI Phone: 263-5411.

For Sale: Motorola LA100B 600W Base Station set up for 52.525 and 52.640 MHz. \$100.00 with manual and Base like. Excellent Condx. Call: Dave Brake K8BKA.

Well, that's it for another issue. Please keep the news coming in to me. 73 de
 Wells R. Chapin W8H - Box 176 - Kingsley, Michigan 49649 - Phone 236-5411.

63

T. WOLFLEY W83PLQ
P. O. BOX 225
EMPIRE, MICH. 49630



Joseph W. Novak W8TVT
307 W. 11th St.
Traverse City, Mich. 49684

M